

Data sheet

Art.No.: 70.452.0637.1

hood BAS GOM GI 6 M20 B1

Hood revos basic metal-series without coating, for single locking lever with threaded hole M20 on the top, low version, 6-poles



Art.No.	70.452.0637.1
EAN	4049088363221
Order Unit	1

Technical data

general

housing material	aluminum
color	grey
surface	bare
degree of protection (IP)	IP66
UV resistant	yes
flammability class of insulation material acc. with UL94	other
operating temperature range min.	-40 °C
operating temperature range max.	120 °C

model

construction	6
locking mechanism	single locking lever
cable entry	above
type of cable	thread
with cable screw gland	no
thread size M	20
thread size PG	
hinged lid	no
EMC-version	no
length	73.6 mm
width	43 mm
height	51 mm

classification

ECLASS 11	
-----------	--

ECLASS 8.1	27440202
ETIM 9.0	EC000437
ETIM 8.0	EC000437
ETIM 7.0	EC000437
ETIM 6.0	EC000437
ETIM 5.0	EC000437
ETIM 4.0	EC000437
ETIM 3.0	EC000437

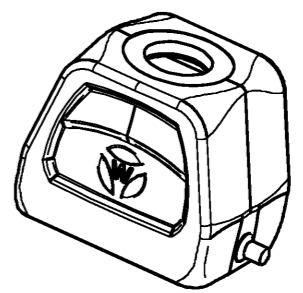
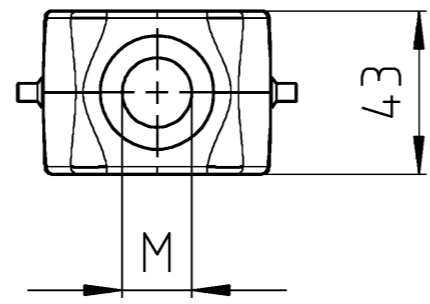
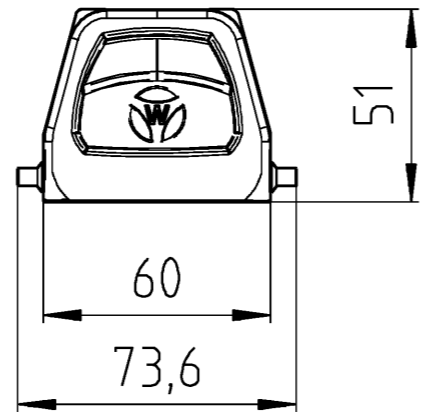
Fits with

Art.No.:	Article/type description:	Description:
70.300.0602.0	female insert BAS BUS 6 2,5 50 AG	Female insert revos basic, 6-poles, rated current: 16A, rated voltage: 500V, with silver-plated contacts
70.300.0640.0	female insert BAS BUS 6 2,5 50	Female insert revos basic, screw type, 6-poles, rated current: 16A, rated voltage: 500V, with tin-plated contacts
70.301.0640.0	female insert BAS BUS 6 2,5 50 AU	Female insert revos basic, 6-poles, rated current: 16A, rated voltage: 500V, with gold-plated contacts
70.302.0640.0	female insert BAS BUS OD 6 2,5 50	Female insert revos basic, 6-poles, rated current: 16A, rated voltage: 500V, with tin-plated contacts
70.310.0602.0	male insert BAS BUS OD 6 2,5 50	Female insert revos basic, 6-poles, rated current: 16A, rated voltage: 500V, with tin-plated contacts
70.310.0640.0	male insert BAS STS 6 2,5 50	Male insert revos basic, screw type, 6-poles, rated current: 16A, rated voltage: 500V, with tin-plated contacts
70.311.0640.0	male insert BAS STS 6 2,5 50 AU	Male insert revos basic, 6-poles, rated current: 16A, rated voltage: 500V, with gold-plated contacts
70.312.0640.0	male insert BAS STS OD 6 2,5 50	Male insert revos basic, 6-poles, rated current: 16A, rated voltage: 500V, with tin-plated contacts
70.500.0653.0	female insert BAS BUF 6 2,5 50	Female insert revos basic, spring type, 6-poles, rated current: 16A, rated voltage: 500V, with silver-plated contacts
70.510.0653.0	male insert BAS STF 6 2,5 50	Male insert revos basic, spring type, 6-poles, rated current: 16A, rated voltage: 500V, with silver-plated contacts
70.700.0658.0	female insert BAS BUC 6 50	Female insert revos basic, 6-poles, rated current: 16A, rated voltage: 500V, with tin-plated contacts
70.710.0658.0	male insert BAS STC 6 50	Male insert revos basic, 6-poles, rated current: 16A, rated voltage: 500V, with tin-plated contacts
72.300.0653.0	female insert BAS BUS 6 2,5 69	Female insert revos basic, 6-poles, rated current: 16A, rated voltage: 690V, with tin-plated contacts
72.310.0653.0	male insert BAS STS 6 2,5 69	Male insert revos basic, 6-poles, rated current: 16A, rated voltage: 690V, with tin-plated contacts
72.700.0658.0	female insert BAS BUC 6 69	Female insert revos basic, 6-poles, rated current: 16A, rated voltage: 690V, with tin-plated contacts
72.710.0658.0	male insert BAS STC 6 69	Male insert revos basic, 6-poles, rated current: 16A, rated voltage: 690V, with tin-plated contacts
73.800.2453.0	female insert DD BUC 24 1,5 25	revos DD 24 pole + ground, female insert 250V/10A, crimp connection
73.810.2453.0	male insert DD STC 24 1,5 25	revos DD 24 pole + ground, male insert 250V/10A, crimp connection
70.405.0653.0	female insert BAS BUP 6 2,5 50 AG	Female insert revos basic, 6-poles, rated current: 16A, rated voltage: 500V, with silver-plated contacts
70.415.0653.0	male insert BAS STP 6 2,5 50 AG	Male insert revos basic, 6-poles, rated current: 16A, rated voltage: 500V, with silver-plated contacts
70.810.1056.0	male insert BAS STCK 10 50 PC	Male insert revos basic, 10-poles, polycarbonate insert, rated current: 16A, rated voltage: 500V, with gold-plated or silver-plated contacts
70.800.1056.0	female insert BAS BUCH 10 50 PC	Female insert revos basic, 10-poles, polycarbonate insert, rated current: 16A, rated voltage: 500V, with tin-plated contacts

A
B
C
D
E
F

These dimensions will be especially checked at delivery
Only inspection dimensions
With /E marked dimensions are only valid for internal use

Diese Maße werden bei Abnahme besonders geprüft
Ausschließlich Prüfmaße
Mit /E gekennzeichnete Maße sind nur für interne Zwecke gültig



Weitergabe sowie Vervielfältigung dieses Dokuments, Verwertung und Mitteilung seines Inhalts sind verboten, soweit nicht ausdrücklich gestattet.
The reproduction, distribution and utilization of this document as well as the communication of its contents to others without express authorization is prohibited.

70.45 ⁴ ₂ .0637.1	BAS GOM GI 6 M25 B1	Gewindebohrung /Thread hole
Bestellnummer /Order number	Typ /Type	Varianten /Variants
Weitere Daten siehe KATALOG oder eKatalog. Additional data see CATALOG or eCatalog.		www.wieland-electric.com eshop.wieland-electric.com

Tolerierung Size ISO 14405 (E) / Tolerance system Size ISO 14405 (E). (This ISO-standard describes the envelope principle. According to the envelope principle the deviations of form and parallelism are limited by the size tolerances).		ja/yes <input checked="" type="checkbox"/> Stoffverbots- und Deklarationsliste nach WN 5020.010 ist einzuhalten. Conformity with Wieland document WN 5020.010 e (list of prohibited / declarable hazardous substances) to be declared!	
Freitoleranz nach General tolerance		CAD - Zeichnung, keine manuellen Änderungen CAD - drawing, no manual modifications allowed	1. Verwendung: First Use:
Blatt: 1 von Sheet: 1 of			
Werkstoff / Material		Tag/Date	Name
Aluminium		19.05.2016	Lunz S.
Maßstab / Scale		Zeichnung Nr. / Drawing No.	
1:2		T 70.452.0637.1 13K	
Vol.. --- mm ³		Dfl./Surf. --- mm ²	
Ersatz für / Replacement for:		Maße in mm / Dimensions are in mm	
www.wieland-electric.com		Type	Benennung/Title
www.wieland-electric.com		revos	GEHAEUSEOBERTEIL
Index Datum / Blatt Date / Sheet		BASIC M	Baugröße 6 - Kabelabgang oben-M20/M25 Hood size 6 - cable outlet top-M20/M25
Änderung / Revision			